

MSR Gold™ FastFit

MSR Gold™ 1200 FastFit 1CT



All lamps burn out eventually, but when this happens with single ended MSR Gold™ FastFit, it is replaced in seconds – thanks to the specially designed lamp base and lamp holder. This lamp provides a high beam intensity of pure, white light for a truly illuminating performance, while the gold-plated caps provide superior heat protection and prevent premature failure. P3 technology allows use in any position and at higher temperatures, further extending lamp life and consistency of high-quality light output. Also, because the FastFit design is applied to Philips Halogen lamps, switching between lamp technologies can be done quickly and easily.

Product data

• General Characteristics

System Description	FastFit
Cap-Base	PGJX50
Cap-Base Information	PGJX50
Execution	-
Operating Position	any
Main Application	Entertainment
Life to 50% failures	750 hr
EM	

• Light Technical Characteristics

Color Code	-
Color Rendering Index	80 Ra8
Color Temperature	6000 K
Color Temperature Technical	6000 K
Chromaticity Coordinate X	318 -
Chromaticity Coordinate Y	327 -
Luminous Flux Lamp EM	79500 (min), 95000 (nom) Lm
Luminous Efficacy Lamp EM	80 Lm/W

• Electrical Characteristics

Watts	1200 W
Lamp Wattage Technical	1200 W

Lamp Current	15 A
Ignition Supply Voltage	198 (min) V
Dimmable	Yes

• Luminaire Design Requirements

Pinch Temperature	500 (max) C
Bulb Temperature	950 (max) C

• Product Dimensions

Overall Length C	128 (max) mm
Diameter D	26.1 (max) mm
Width F	41 mm
Light Center Length L	64 (min), 65 (nom), 66 (max) mm
Arc Length O	5.5 mm

• Product Data

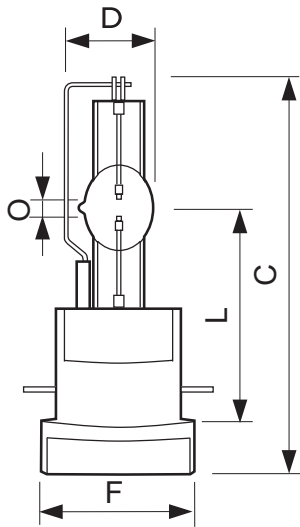
Product number	245688
Full product name	MSR Gold™ 1200 FastFit 1CT
Short product name	MSR Gold 1200 FastFit 1CT/8
Pieces per Sku	1
eop_pck_cfg	8
Skus/Case	8
Bar code on pack	8727900908565
Bar code on case	8727900908572
Logistics code(s)	928175005114
eop_net_weight_pp	0.147 kg



PHILIPS

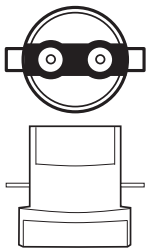
sense and simplicity

Dimensional drawing



MSR Gold™ 700(/2), 1200

Product	A (Min)	A (Norm)	A (Max)	C (Max)	D (Max)	D1 (Norm)	F (Min)	F (Norm)	F (Max)	L (Min)	L (Norm)	L (Max)	O (Norm)
MSR GOLD 1200 FastFit	-	-	-	128	26.1	-	-	41	-	64	65	66	5.5



PGJX50



© 2012 Koninklijke Philips Electronics N.V.
All rights reserved.

Specifications are subject to change without notice. Trademarks are the property of Koninklijke Philips Electronics N.V. or their respective owners.

www.philips.com/lighting

2012, April 13
data subject to change